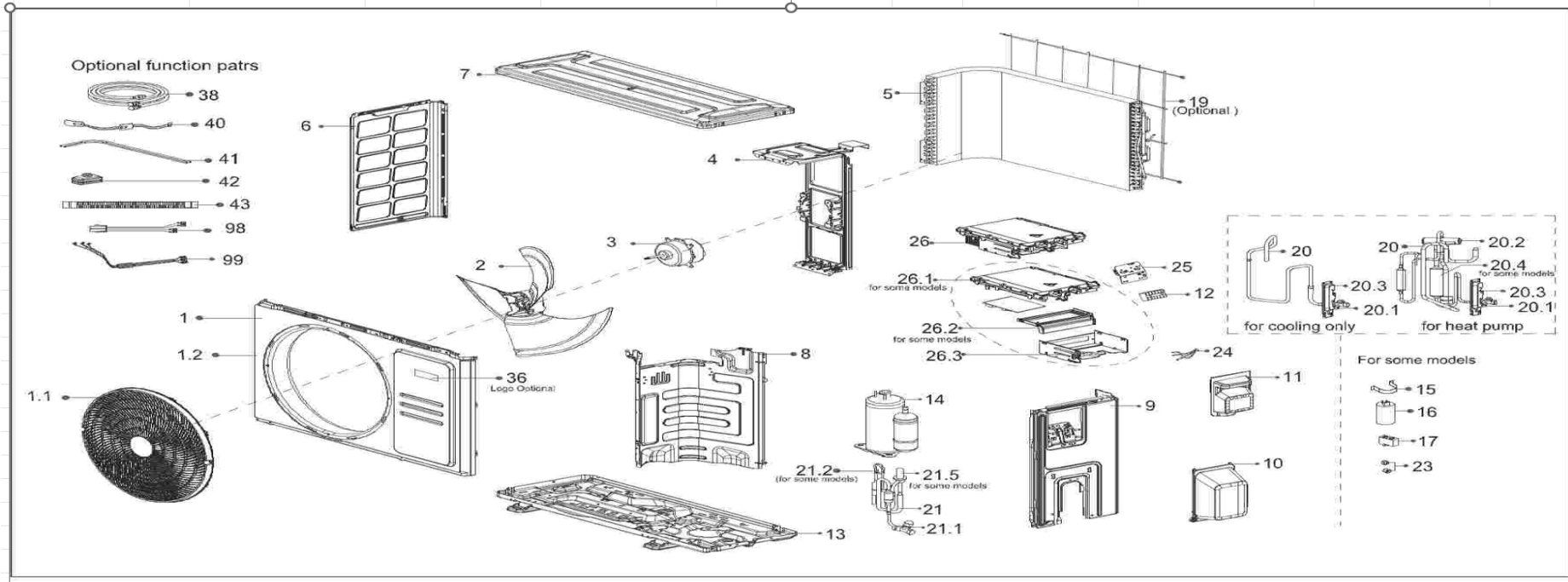


Code: 22022016020340  
 Model: KNP-12NRHO  
 Brand: KAISAI  
 Order: 62220-S3057002



EX_ID	Part Code	Part Name(En)	Part Name(Local)	Part Description(En)	Drawing NO.	QTY
1	12222000013385	Front panel assembly	Front panel assembly	Front panel assembly WX301.BJ.1A REACH,RoHS	WX301.BJ.1A	1.00
1.1	12122000026241	Air-Out Mesh Enclosure	Air-Out Mesh Enclosure	Air-Out Mesh Enclosure WX301.SL.2 REACH,RoHS	WX301.SL.2	1.00

1.2	12222000013386	Front panel	Front panel	Front panel WX301.BJ.1A-1 REACH,RoHS	WX301.BJ.1A-1	1.00
2	12100105000881	Axial Flow Fan	Axial Flow Fan	Axial Flow Fan ZL-434*144*8-3KN RoHS	ZL-434*144*8-3KN	1.00
3	11002015016238	Brushless DC Motor	Brushless DC Motor	Brushless DC Motor ZKFN-34-10-1L RoHS	ZKFN-34-10-1L	1.00
4	12222000013200	Motor Bracket	Motor Bracket	Motor Bracket WX301.BJ.3-1 RoHS	WX301.BJ.3-1	1.00
5	15822000014026	Condenser assembly	Condenser assembly	Condenser assembly MX-KFR64W/BP3N1-X330(Q0)-W.ZL.1A REACH,RoHS	MX-KFR64W/BP3N1-X330(Q0)-W.ZL.1A	1.00
6	12222000013197	Left Side Panel	Left Side Panel	Left Side Panel WX301.BJ-6 REACH,RoHS	WX301.BJ-6	1.00
7	12222000019787	Top Cover Assembly	Top Cover Assembly	Top Cover Assembly WX301.BJ.2B REACH,RoHS	WX301.BJ.2B	1.00
8	12222000014125	Partition Board Assembly	Partition board assembly	Partition Board Assembly WX301.BJ.9 REACH,RoHS	WX301.BJ.9	1.00
9	12222000013190	Right Clapboard Assembly	Right Clapboard Assembly	Right Clapboard Assembly WX301.BJ.4 RoHS	WX301.BJ.4	1.00
10	12122000007150	Water Collector	Water Collector	Water Collector BA01.SL-2 RoHS	BA01.SL-2	1.00
11	12122000031166	Big Handle Assembly	Big Handle Assembly	Big Handle Assembly WX201.SL.1 REACH,RoHS	WX201.SL.1	1.00
12	17400401000016	Terminal	Terminal	Terminal JXZ-PG6H-A RoHS	JXZ-PG6H-A	1.00
13	12222000014127	Chassis assembly	Chassis assembly	Chassis assembly WX301.BJ.5E REACH,RoHS	WX301.BJ.5E	1.00
14	11103020010339	DC Inverter Rotary Compressor	DC Inverter Rotary Compressor	DC Inverter Rotary Compressor KTM140D78UFZ3 REACH,RoHS	KTM140D78UFZ3	1.00
20	15422000023835	4-way valve assembly	4-way valve assembly	4-way valve assembly EU-KFR35W/BP3N8-X330(RE1)-GW.ZL.1 RoHS	EU-KFR35W/BP3N8-X330(RE1)-GW.ZL.1	1.00
20.1	15500204000021	Gas Valve	Gas Valve	Gas Valve DYF-A28N RoHS	DYF-A28N	1.00
20.2	15500216001903	Four-Way Valve	Four-Way Valve	Four-Way Valve STF-01N1 REACH,RoHS	STF-01N1	1.00
20.3	12222200005738	Valve Plate	Valve Plate	Valve Plate KFR-72W-X401-1 RoHS	KFR-72W-X401-1	1.00

20.4	15122000031697	Muffler subassembly	Muffler subassembly	Muffler subassembly KFR-35W/X302.JC.ZL.1.1 REACH,RoHS	KFR-35W/X302.JC.ZL.1.1	1.00
21	15422000015392	Liquid valve assembly	Liquid valve assembly	Liquid valve assembly EU-KFR26W/BP3N1-B01(RD1)-W.ZL.1A REACH,RoHS	EU-KFR26W/BP3N1-B01(RD1)-W.ZL.1A	1.00
21.1	15500208000028	High Pressure Valve	Liquid Valve	High Pressure Valve GYF-A28N RoHS,REACH	GYF-A28N	1.00
21.5	15500213000178	Electronic Expansion Valve	Electronic Expansion Valve	Electronic expansion valve DPF1.65C-36(CBM-BD16KMEZ-3)) RoHS	DPF1.65C-36(CBM-BD16KMEZ-3))	1.00
23	15500406000010	Flare Nut	Copper nut	Flare Nut TLM-B02 RoHS	TLM-B02	1.00
23	15500406000016	Flare Nut	Copper nut	Flare Nut TLM-A01 RoHS	TLM-A01	1.00
24	11201011000688	Temperature Sensor	Combination Sensor	Temperature Sensor CGQ-ZH-GW/SW/PQ-L800-XH-P500-3-02 REACH,RoHS	CGQ-ZH-GW/SW/PQ-L800-XH-P500-3-02	1.00
25	12222000019881	Terminal Board	Terminal Board	Terminal Board BA01.BJ-11&A REACH,RoHS	BA01.BJ-11&A	1.00
26	17222000045358	Electronic control box subassembly	Electronic control box subassembly	Electronic control box subassembly EU-KFR35W/BP3N8-X330(RE1)-GW (KTM140D78UFZ3_RX24Tmini_SDM20G60_ECN30622).JD.FW.NXWKB.DK1.1 RoHS	EU-KFR35W/BP3N8-X330(RE1)-GW (KTM140D78UFZ3_RX24Tmini_SDM20G60_ECN30622).JD.FW.NXWKB.DK1.1	1.00
26.1	12122000030601	Cover of electronic control box	Cover of electronic control box	Cover of electronic control box WX301.SL-6 REACH,RoHS	WX301.SL-6	1.00
26.3	12122000030602	Electronic installing box subassembly	Electronic installing box subassembly	Electronic installing box subassembly WX301.SL-8 RoHS	WX301.SL-8	1.00
36	16022000D20361	Outdoor unit trademark	Outdoor unit trademark	Outdoor unit trademark KAIS-KFR35W/BP3T1N1-B30(RD0)-W-0409 RoHS	KAIS-KFR35W/BP3T1N1-B30(RD0)-W-0409	1.00

40	17402001000603	Crankcase Electric Heating Strip	Crankcase Electric Heating Strip	Crankcase Electric Heating Strip DJRD-358A-800-20W-5 RoHS	DJRD-358A-800-20W-5	1.00
41	17402002000464	Heater	Heater	Electric heating tube DJRG-150W-030-2 RoHS	DJRG-150W-030-2	1.00
99	17401203012697	Compressor Wires Subassembly	Compressor Wires Subassembly	Compressor Wires Subassembly PXQ-YSJ200RD/190BL/210BK-14#PA66 RoHS	PXQ-YSJ200RD/190BL/210BK-14#PA66	1.00